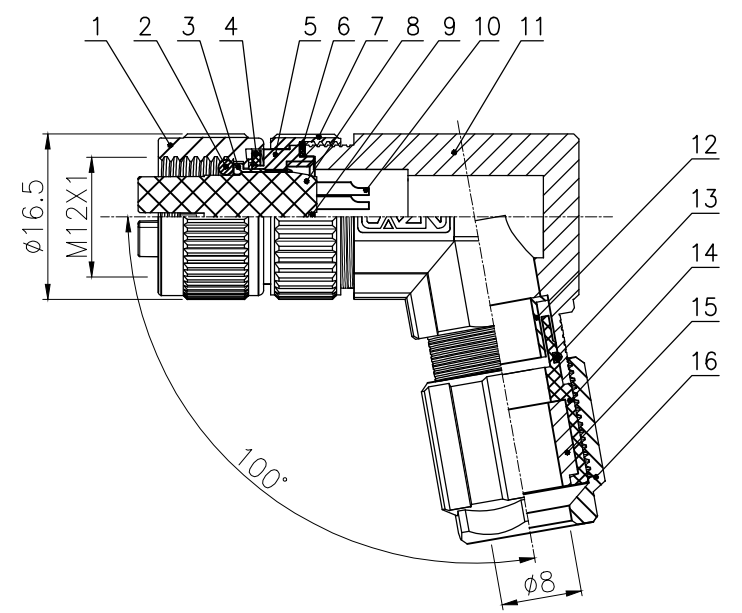
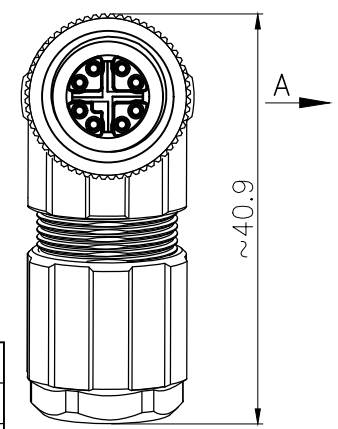
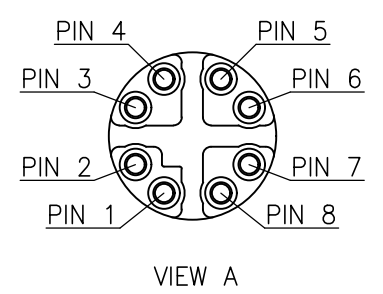


No.	Specification	Material	Treat	Unit	Q'ty	No.	Specification	Material	Treat	Unit	Q'ty
1	M12 male head damping connecting screw	Zinc alloy	nickel plated	pc	1	9	M12 Plastic core metal parts	Zinc alloy	nickel plated	pc	1
2	M12 Insulator O ring $\phi 9 \times \phi 6 \times 1.5$	Nylon	/	pc	1	10	M12 X-type Female contact pin	Phosphor copper	Gold plated	pc	8
3	M12 metal assembly connection sleeve-1	Brass	nickel plated	pc	1	11	M12 X Type assembly bending body	Zinc alloy	nickel plated	pc	1
4	M12 X-type assembled wave gasket with dots	Manganese Steel	nickel plated	pc	1	12	Shield ring	Brass	nickel plated	pc	1
5	M12 metal assembly connection sleeve-2	Brass	nickel plated	pc	1	13	waterproof O-ring	NBR	/	pc	1
6	M12 X type waterproof silicone gasket	Silicone	/	pc	1	14	Lock line, tail	Nylon	/	pc	1
7	M12 main body connecting nut	Brass	nickel plated	pc	1	15	Waterproof rubber plug	The silicone	/	pc	1
8	M12 Female Insulator (8 core X code)	Nylon	/	pc	1	16	Line lock nut	Zinc alloy	nickel plated	pc	1



Technical specifications:		Materials:	
Coupling:	Threaded coupling	Shell material:	Brass nickel plated
Termination:	Soldering	Contact material:	Phosphor copper Gold plated
Coding:	X	Insert material:	PA66+GF UL94 black
Pollution degree:	3	Sealing:	NBR
Temperature range:	$-40^{\circ}\text{C} \sim +80^{\circ}\text{C}$		
Degree of protection:	IP67		
Mating cycles:	$\geq 500$		
Rated voltage:	30V AC/DC		
Rated current:	2A		
Contact resistance:	$\leq 5 \text{ m}\Omega$		
Insulation resistance:	$\geq 100 \text{ M}\Omega$		
All materials are RoHS compliant			

GENERAL TOLERANCE (UNLESS SPECIFIED) $\leq 10 \pm 0.1$ $< 10 \sim \leq 20 \pm 0.2$ $< 20 \sim \leq 50 \pm 0.5$ Angle $\pm 1^{\circ}$	DWN	DATE	
	W.M	2022.9.2	
	CHK	DATE	TITLE
	APVD	DATE	M12 Angled Female Metal Plug 8 core X code
 THIRD ANGLE	UNIT	REV	PART NO
	MM	A	
	SIZE	SHEET	DRAWING NO
A4	1 OF 1	M12G-D3-S8X	